
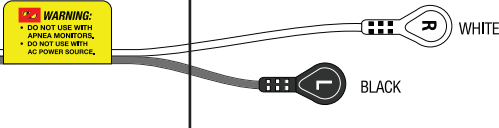

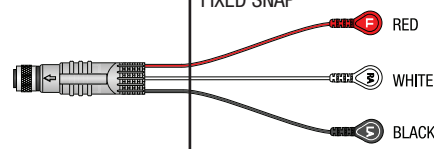
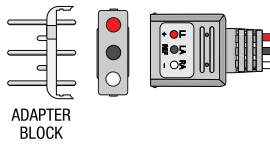
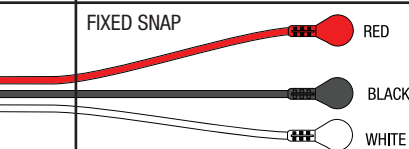
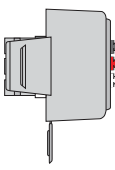
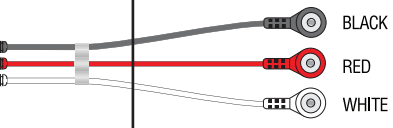
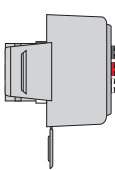
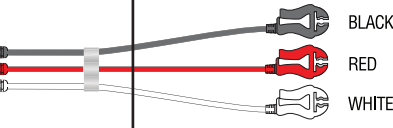

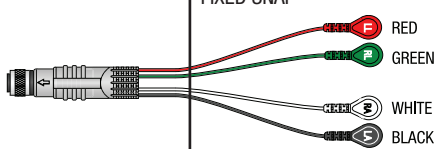

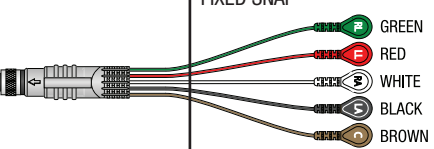
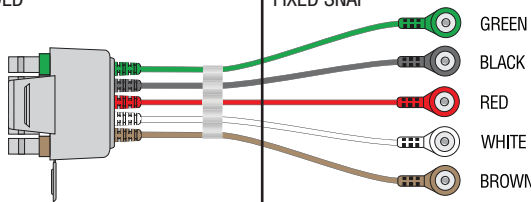
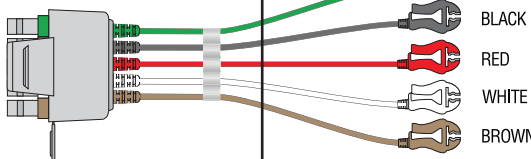


TELEMETRY CABLES

RPI PART #	DESCRIPTION	# OF LEADS	LENGTH	EQUIPMENT END	PATIENT END	NOTES
KBB001	TELEMETRY CABLE - 2 LEAD	2	32"	DUAL PHONO PLUG 90-DEG 	FIXED SNAP 	
KCB028	TELEMETRY CABLE - 3 LEAD	3	27"	7 SOCKET JUMPER 1 TO 5 	FIXED SNAP 	
KCB029	TELEMETRY CABLE - 3 LEAD	3	30"	3-LEAD SAFETY BLOCK  ADAPTER BLOCK	FIXED SNAP 	<ul style="list-style-type: none"> This cable replaces RPI Part #HPC008 Includes Adapter Block
KCB031	TELEMETRY CABLE - 3 LEAD SN	3	30"	DUAL/SHIELDED 	FIXED SNAP 	<ul style="list-style-type: none"> OEM Part #M2590A Includes 3 position lead combiner
KCB032	TELEMETRY CABLE - 3 LEAD PI	3	30"	DUAL/SHIELDED 	FIXED PINCH 	<ul style="list-style-type: none"> OEM Part #M2591A Includes 3 position lead combiner
KDB002	TELEMETRY CABLE - 4 LEAD	4	27"	7 PIN SOCKET 	FIXED SNAP 	
KEB015	TELEMETRY CABLE - 5 LEAD	5	24"	7 PIN SOCKET 	FIXED SNAP 	

TELEMETRY CABLES *(Continued)*

RPI PART #	DESCRIPTION	# OF LEADS	LENGTH	EQUIPMENT END	PATIENT END	NOTES
KEB018	TELEMETRY CABLE - 5 LEAD SN	5	30"	DUAL/SHIELDED	FIXED SNAP 	<ul style="list-style-type: none"> • OEM Part #M2592A • Includes 5 position lead combiner
KEB019	TELEMETRY CABLE - 5 LEAD PI	5	30"	DUAL/SHIELDED	FIXED PINCH 	<ul style="list-style-type: none"> • OEM Part #M2592A • Includes 5 position lead combiner