

Models: Statim L, 900 (#311101), 2000 (#1102 & 121101) & 5000 (#201103)



New Filters, PM Kits, and more to fit SciCan Statim® Series Cassette Sterilizers

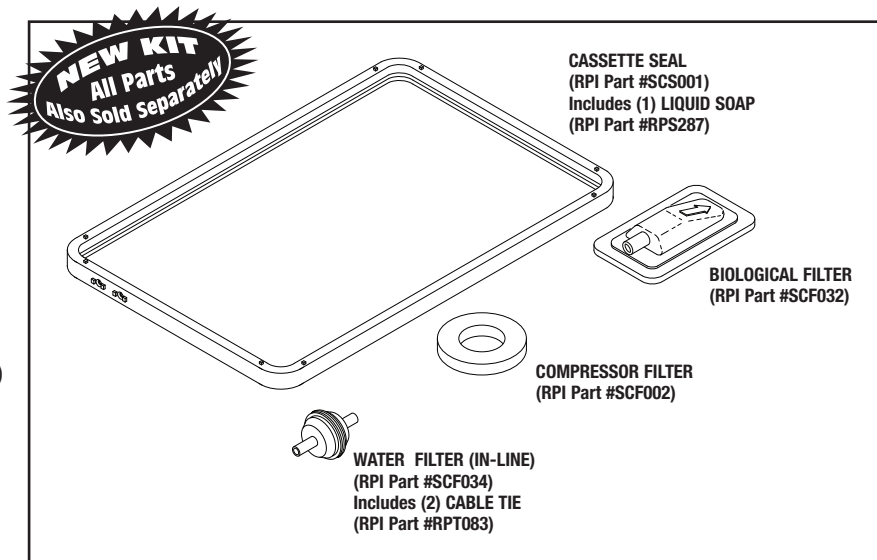
RPI Part #SCK035
OEM Part #01-100028S (Gasket Only)

STERILIZER PM KIT

- Includes:
 - Cassette Seal (RPI Part #SCS001)
 - Liquid Soap (RPI Part #RPS287)
 - Compressor Filter (RPI Part #SCF002)
 - Biological Filter (RPI Part #SCF032 for serial #2101DK0274 and above)
 - Water Filter (In-Line) (RPI Part #SCF034)

Model: Statim 2000

PM TIP – Lube Cassette Seal (RPI SCS001) with (1) pouch of Liquid Soap (RPI Part #RPS287) every 30 days. Replace Cassette Seals every 800 cycles.



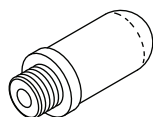
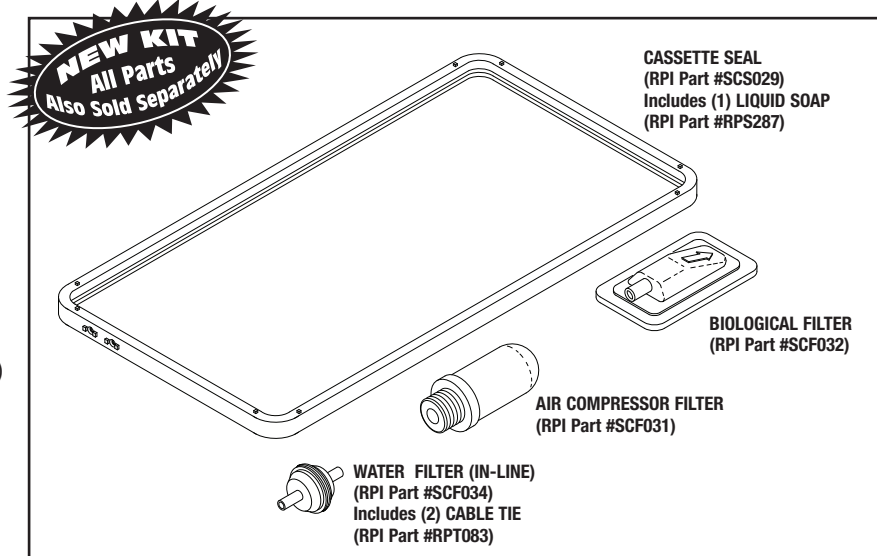
RPI Part #SCK036
OEM Part #01-101649S (Gasket Only)

STERILIZER PM KIT

- Includes:
 - Cassette Seal (RPI Part #SCS029)
 - Liquid Soap (RPI Part #RPS287)
 - Biological Filter (RPI Part #SCF032)
 - Air Compressor Filter (RPI Part #SCF031 for use with MEDO Compressor only)
 - Water Filter (In-Line) (RPI Part #SCF034)

Model: Statim 5000

PM TIP – Lube Cassette Seal (RPI SCS029) with (1) pouch of Liquid Soap (RPI Part #RPS287) every 30 days. Replace Cassette Seals every 800 cycles.

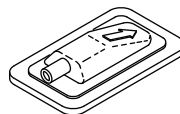


RPI Part #SCF031
OEM Part #01-101652S

AIR COMPRESSOR FILTER

- Fits units with the MEDO Air Compressor only
- Also included in Sterilizer PM Kit (RPI Part #SCK036)

Fits: Air Compressor
Model: Statim L, 5000 & 5000S

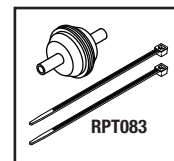


RPI Part #SCF032
OEM Part #01-102119S

BIOLOGICAL FILTER

- Replace every 6 months or every 500 cycles (whichever comes first)
- Also included in Sterilizer PM Kits (RPI Part #'s SCK035 & SCK036)

Fits: Air Compressor
Model: Statim 2000 (beginning with Serial #2101DK0274) & 5000



RPI Part #SCF034
OEM Part #01-106637S

WATER FILTER (IN-LINE)

- Includes all parts as shown
- Also included in Sterilizer PM Kits (RPI Part #'s SCK035 & SCK036)

Fits: Water Pumps
Model: Statim 900, 2000 & 5000



replacement parts industries, inc.

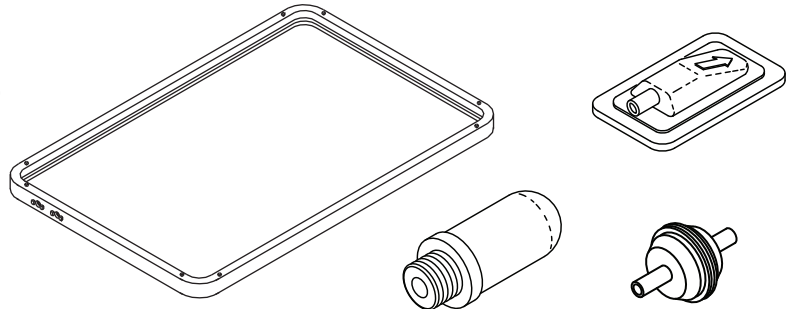
CALL (800) 221-9723 • FAX (818) 882-7028 • EMAIL order@rpiparts.com • WEBSITE www.rpiparts.com

The above parts are manufactured by Replacement Parts Industries, Inc. to fit SciCan equipment. All product names used in this document are trademarks or registered trademarks of their respective holders. Web 11/09

RPI is Your Source for Filters, Seals, and more to fit *SciCan Statim*® Series Cassette Sterilizers!

Look inside for more information about these new parts and more:

- **CASSETTE SEALS**
- **AIR COMPRESSOR FILTER**
- **BIOLOGICAL FILTER**
- **WATER FILTER (IN-LINE)**
- **STERILIZER PM KITS**



replacement parts industries, inc.

P.O. Box 5019 • Chatsworth, California • 91313-5019

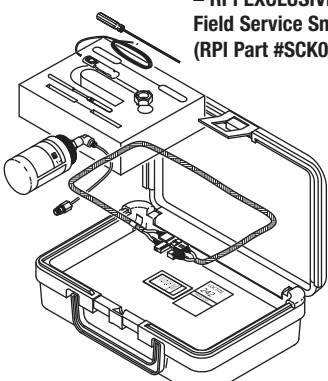
PRESORTED STANDARD
U.S. POSTAGE PAID
VAN NUYS, CA
PERMIT #2399

• Address Service Requested •

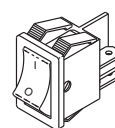
— An ISO 9001 Certified Company —

DON'T FORGET ... RPI also carries these parts and more to fit *SciCan Statim*® 900, 2000 & 5000 Cassette Sterilizers!

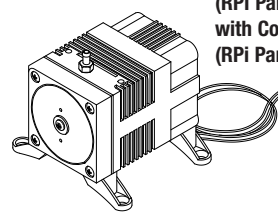
— RPI EXCLUSIVE —
Field Service Smart Kit®
(RPI Part #SCK028)




Power Switch
(RPI Part #SCS023)



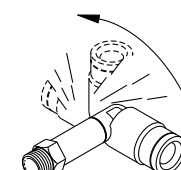
Air Compressor Kit
(RPI Part #SCK020)
with Compressor filter
(RPI Part #SCF002)



Solenoid - Coil
(RPI Part #SCC005)



Convenient Swiveling
Push-In Elbow Fitting
(RPI Part #RPF363)



Condenser
Waste Bottle Kit
(RPI Part #SCK016)

