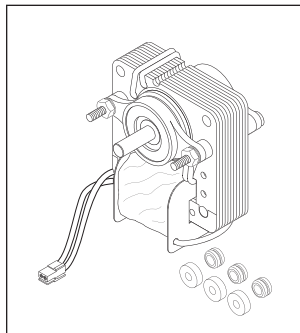




# Dental Film Processors & X-Ray Units

## INTRODUCING MORE NEW PARTS TO FIT GENDEX GXP™ FILM PROCESSORS & X-RAY UNITS

### FILM PROCESSORS

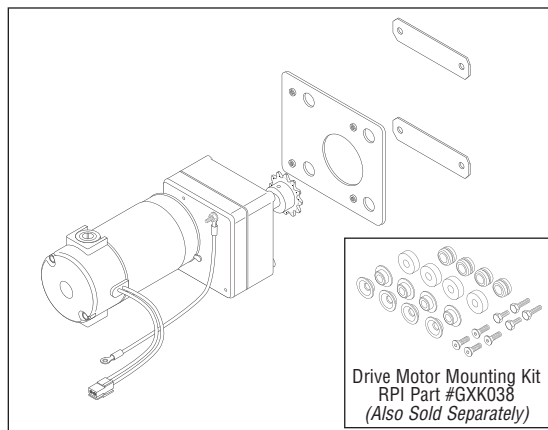


**RPI Part #GXM023**  
**OEM Part #112-0531G1**

#### AGITATOR MOTOR

- 120VAC, 60 Hz.
- Impedance protected
- 1/4" dia. shaft, 3/4" lg.
- Sealed ball bearings
- Includes Motor, Connector, and (3 each) mounting grommets and spacers

**Fits:** Agitator Assembly (bottom tanks)



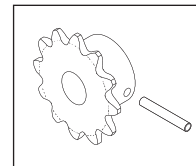
Drive Motor Mounting Kit  
RPI Part #G XK038  
(Also Sold Separately)

**RPI Part #GXM002**  
**OEM Part # 112-0534G1**

#### DRIVE MOTOR

- 90VDC
- Includes Motor, Connector, Mounting Plate, (2) Mounting Brackets, and Drive Motor Mounting Kit (RPI Part #G XK038)

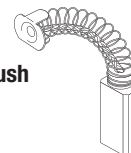
**Fits:** Bottom frame



**RPI Part #GXS003**  
**OEM Part #303-0042P1**

#### SPROCKET

- Includes Sprocket and Drive Pin
- Fits:** Main Drive Motor



**RPI Part #GXB004**  
**OEM Part #652-0015P1/Brush**

#### MOTOR BRUSH (2/pkg)

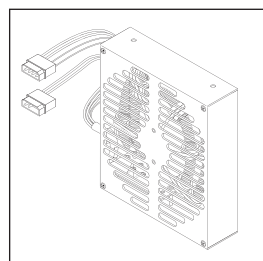
- .187" x .312" x .625"
  - Spring length: .88"
- Fits:** Main Drive Motor



**RPI Part #RPC038**  
**OEM Part #652-0015P1/Cap**

#### BRUSH CAP (6/pkg)

**Fits:** Motor Brush

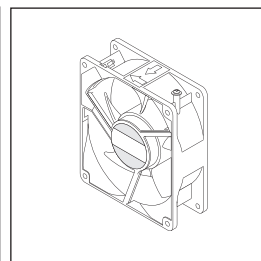


**RPI Part #GXH039**  
**OEM Part # 112-0094G1**

#### HEATER

- 4.66" square x 1.25" wide
- 120VAC, 750W; Thermally protected
- Includes Heater, Connectors, and (3 pieces) Cable Tie (RPI Part #RPT083)

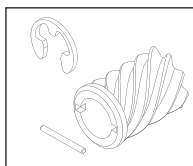
**Fits:** Heater/Fan Assembly



**RPI Part #GXF012**  
**OEM Part #652-0012P1**

#### HEATER FAN (115V)

- 115VAC
  - 4.69" square x 1.5" wide
- Fits:** Heater/Fan Assembly



**RPI Part #G XK006**  
**OEM Part #112-0635G1**

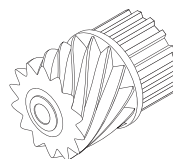
#### HELICAL GEAR KIT

- Includes black plastic gear with stainless steel roll pin and E-ring
- Fits:** Drive Shaft

**RPI Part #G XG007**  
**OEM Part #303-0015P1**

#### DRIVE GEAR

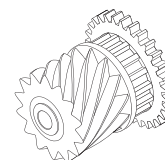
- Black plastic helical/pulley gear
- Fits:** Developer, Fixer, and Washer Racks



**RPI Part #G XG008**  
**OEM Part #115-0579G1**

#### DRIVE GEAR

- Black plastic helical/pulley/spur gear
- Fits:** Dryer Racks



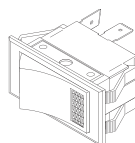
### X- RAY UNITS

**RPI Part #GXS016**  
**OEM Part #632-0031P1**

#### POWER SWITCH

- 15A @ 125VAC; On/Off
- Panel Mount; White body/Amber lens
- 1/4" Quick disconnect terminals

**Fits:** Control Panel **Model:** GX-770™ Intraoral

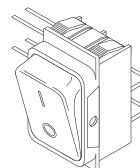


**RPI Part #GXS017**  
**OEM Part #632-0084P2**

#### POWER SWITCH

- 16A @ 125VAC; On/Off
- PCB Mount; Black body

**Fits:** Control Panel **Model:** 765 DC Intraoral



**RPI Part #GXS018**  
**OEM Part #632-004P1**

#### POWER SWITCH

- 15A @ 125VAC; On/Off
- Panel Mount; Black body
- 1/4" Quick disconnect terminals

**Fits:** Control Panel **Model:** Orthoralix® Panoramic

