



More New Parts to fit

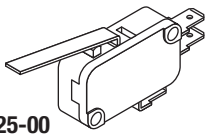
Midmark® • Ritter® Tables and Chairs!

RPI Part #MIS127
OEM Part #015-0425-00

LIMIT SWITCH

- 10 A @ 125/250 VAC; SPDT

Fits: Chassis
Model 111*, 119*, 311*, 319*, 411*, 414* & 419*



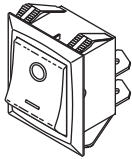
NEW

RPI Part #MIS128
OEM Part #015-0650-00

HEATER SWITCH

- Rocker switch (On-Off)
- 20 A @ 125/250 VAC; DPST
- Illuminated red lens

Fits: Chassis
Models: 100, 104, 105, 305, 307 & 404



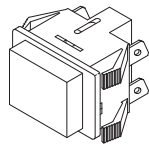
NEW

RPI Part #MIS014
OEM Part #002-0114-00

HEATER SWITCH (RED)

- Push button switch
- 10 A @ 125/250 VAC; DPST
- Illuminated red lens

Fits: Control Box
Models 100, 104, 107 & 105*

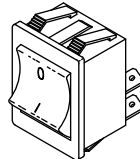


RPI Part #TUS009
OEM Part #015-0258-00

POWER SWITCH

- Rocker switch (On-Off)
- 20A @ 125-250VAC; DPST
- Illuminated green lens

Fits: Cylinder Solenoids
Models: 102

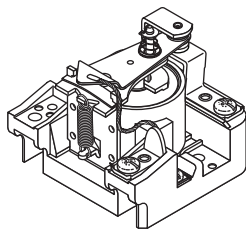


RPI Part #MIR125
OEM Part #015-0023-00

RELAY

- 25 A @ 120 VAC, 50/60 HZ; SPDT

Fits: Motor/Pump Base
Models: 106* & 111*



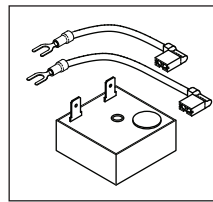
NEW

RPI Part #MIR017
OEM Part #002-0041-00 / 015-0061-00

TIME DELAY RELAY KIT

- 1A @ 120 VAC/DC
- Includes wire assemblies

Fits: Cylinder Solenoids
Models: Evolution 75, 106, 111, 112, 113, 114, 116, 117, 119, 306, 311, 317, 318 & 319

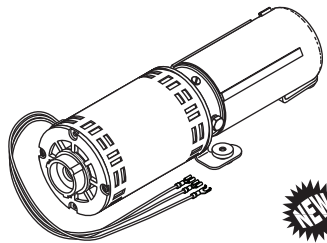


RPI Part #MIA124
OEM Part #002-0112-00

MOTOR/PUMP ASSEMBLY

- 115 VAC, 50/60 HZ; 1/2 HP
- 3/4 GPM pump with 1/2-20 inverted flare ports
- Also available Hydraulic Fluid (RPI Part #RPF384)

Fits: Chassis
Models: 105, 107, 305, 307




NEW

RPI Part #RPF384
OEM Part #014-0056-00

HYDRAULIC FLUID

- 32 fl. oz. (.946 Liter)
- Additive-free 100N Mineral Oil

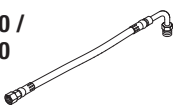
Models: Evolution 75, 105, 106, 107, 110, 112, 113, 114, 115, 116, 117, 119, 305, 306, 307, 311, 317, 318 & 319



RPI Part #MIH100
OEM Part #002-0144-00 / 002-0054-00

POWER HOSE

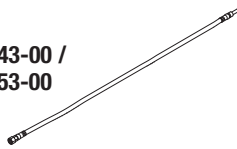
Fits: Pump to Base
Models: 106 & 306



RPI Part #MIH101
OEM Part #002-0143-00 / 002-0053-00

RETURN HOSE

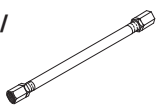
Fits: Pump to Base
Models: 106 & 306



RPI Part #MIH001
OEM Part #002-0117-00 / 014-0104-00

PUMP HOSE

Fits: Solenoid to Pump
Models: Evolution 75, 106*, 111*, 112, 113, 114*, 116, 117*, 119, 311 & 319



Warning: When attaching hydraulic hoses to the cylinders, torque the hose fittings between 55 - 60 Inch Pounds only. Additional torque could damage the threads in the cylinder.

* This part does not fit all serial numbers within the stated Model. Please see our website www.rpiparts.com for serial number breakdowns.

Tables & Chairs (Exam/Surgical)

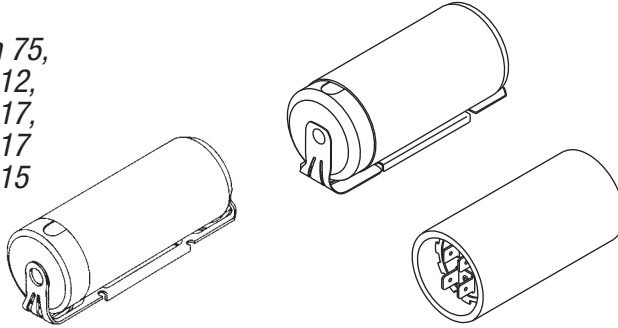
Models: 100, 300 & 400 Series and Evolution 75

RPI Also Carries These Parts and More to Fit Midmark • Ritter Tables and Chairs

IMPORTANT: Not all models listed below fit all Serial #'s.
Please refer to the RPI website for information regarding the Serial #'s that each part fits.

CAPACITORS

to fit models Evolution 75,
105, 106, 107, 111, 112,
113, 114, 115, 116, 117,
119, 305, 307, 311, 317
318, 319, 411, 413, 415
& 419



RELAYS

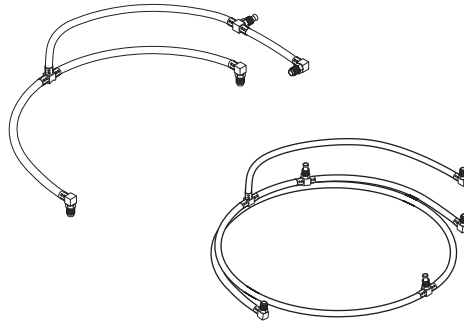
- **Control Panel Relay** to fit model 115
- **Auto Return & Interlock Relay** to fit models 111, 112, 113, 114, 117, & 317
- **Time Delay Relay Kit** to fit models Evolution 75, 106, 111, 112, 113, 114, 116, 117, 119, 311, 317, 318 & 319

HOSE ASSEMBLIES

to fit models 106, 111 & 114

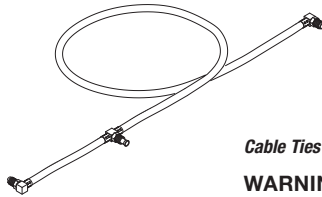
POWER HOSES

to fit models Evolution 75, 105,
106, 107, 110, 111, 112, 113,
114, 116, 117, 119, 305, 306,
307, 311, 317, 318 & 319



PUMP HOSES

to fit models Evolution 75,
106, 111, 112, 113, 114, 116,
117, 119, 311, 318 & 319



RETURN HOSES

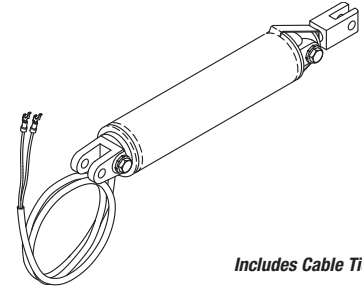
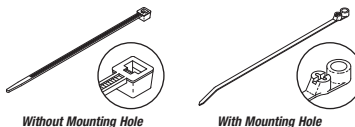
to fit models Evolution 75, 105,
106, 107, 110, 111, 112, 113,
114, 116, 117, 119, 305, 306,
307, 311, 317, 118 & 319

Cable Ties Also Available

WARNING: When attaching hydraulic hoses to the cylinders, torque the hose fittings between **55 - 60 Inch Pounds only**. Additional torque could damage the threads in the cylinder.

CABLE TIES

- 8" Black with mounting hole (25/pkg)
- 8" Black without mounting hole (25/pkg)
- 12" Black without mounting hole (25/pkg)



Includes Cable Ties

BASE CYLINDERS

to fit models Evolution 75, 105,
106, 107, 110, 111, 112, 113,
114, 116, 117, 119, 305, 306,
307, 311, 317, 318 & 319

BACK CYLINDERS

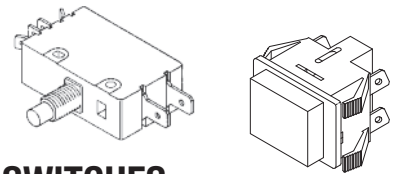
to fit models 105, 117, 119,
305, 311, 317, 318 & 319

TILT CYLINDERS

to fit models Evolution 75, 110,
111, 112, 113, 114, 116, 117,
119, 311, 317, 318 & 319

BACK/FOOT CYLINDER

to fit models Evolution 75, 110,
111, 112, 113, 114, 116, 117,
119, 311, 318 & 319



SWITCHES

- **Foot Control Switch** to fit models 105, 106, 107, 115, 117, 305, 306, 307, 413 & 415
- **Heater Switch (Red)** to fit models 101, 102, 104, 105 & 107
- **Reed Switch Assembly** to fit model 115
- **Return Limit Switch** to fit models 111, 112, 113, 114, 117 & 317
- **Rocker Switch** to fit models 117 & 317
- **Stop Switch (Red)** to fit models 111, 112, 113, 114, 117 & 317