



More New Parts to fit Dental Compressors

For more information about the parts listed in this flyer, see our website www.rpiparts.com

DESICCANTS



RPI Part #CMD091
OEM Part # See Chart on Back Page

DESICCANT
 • Sold in 2 lb. bag
 • Material: Grade 20 G Silica Gel
Fits: Desiccant Tank



RPI Part #CMD093
OEM Part # See Chart on Back Page

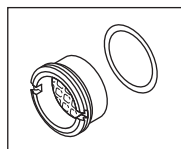
DESICCANT
 • Sold in 2 lb. bag
 • Material: Activated Alumina
Fits: Desiccant Tank



RPI Part #CMD094
OEM Part # See Chart on Back Page

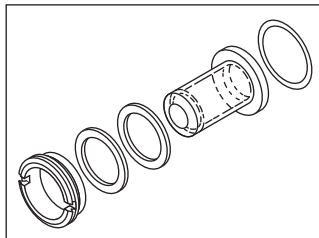
DESICCANT
 • Sold in 2 lb. bag
 • Material: Molecular Sieve
Fits: Desiccant Tank

SIGHT GLASSES



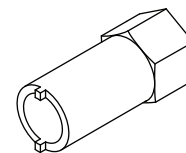
RPI Part #CMK098
OEM Part # See Chart on Back Page

SIGHT GLASS KIT
 • Steel retainer body with built in sight glass;
 1-1/8 - 12 thread; Includes O-Ring Seal
Fits: All Copeland head lubricated compressors



RPI Part #CMK097
OEM Part # See Chart on Back Page

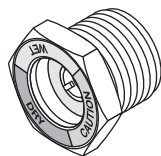
SIGHT GLASS
 • Includes 1-1/8 - 12 threaded Retainer Nut, Sight Glass, O-ring, Fiber and Aluminum Gaskets
Fits: Copeland head lubricated compressors



RPI Part #RPT705
OEM Part # See Chart on Back Page

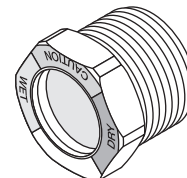
SIGHT GLASS TOOL
 • For easy removal and installation of sight glasses
Fits: All Copeland head lubricated compressors

MOISTURE INDICATORS - Also available, 1/4" Teflon Thread Sealing Tape (RPI Part #RPT579)



RPI Part #CMIO77
OEM Part # See Chart on Back Page

MOISTURE INDICATOR
 • 1/2 MPT
Fits: Manifold Block Assembly



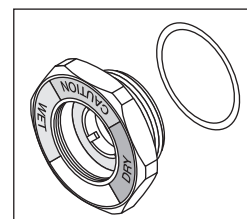
RPI Part #CMIO79
OEM Part # See Chart on Back Page

MOISTURE INDICATOR
 • 3/4 MPT
Fits: Manifold Block Assembly



RPI Part #CMIO78
OEM Part # See Chart on Back Page

MOISTURE INDICATOR
 • 1/4 MPT
Fits: Manifold Block Assembly



RPI Part #CMIO81
OEM Part # See Chart on Back Page

MOISTURE INDICATOR
 • 15/16-20 threads
 • Includes O-ring seal
Fits: Manifold Block Assembly



replacement parts industries, inc.

CALL (800) 221-9723 • FAX (818) 882-7028 • EMAIL order@rpiparts.com • WEBSITE www.rpiparts.com

The above parts are manufactured by Replacement Parts Industries, Inc. to fit the equipment noted. All product names used in this document are trademarks or registered trademarks of their respective holders. WEB 01/10

PARTICLE FILTER ASSEMBLIES

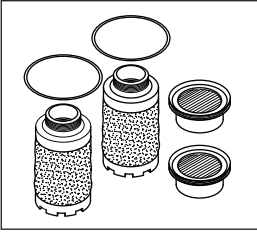
COALESCING FILTER ASSEMBLIES

Norgren Brand	Wilkerson Brand
<p>NEW</p> <p>RPI Part #CMI096 Differential Pressure Indicator</p>	<p>NEW</p> <p>RPI Part #CMI095 Differential Pressure Indicator</p>
<p>RPI Part #CME083 Particle Filter Element</p>	<p>RPI Part #CME085 Particle Filter Element</p>
<p>RPI Part #CMA082 OEM Part # See Chart on Back Page</p> <p>PARTICLE FILTER ASSEMBLY</p> <ul style="list-style-type: none"> • Norgren brand F73 <p>Fits: Compressor Output Manifold / Wall Mount</p>	<p>RPI Part #CMA084 OEM Part # See Chart on Back Page</p> <p>PARTICLE FILTER ASSEMBLY</p> <ul style="list-style-type: none"> • Wilkerson brand F18 <p>Fits: Compressor Output Manifold / Wall Mount</p>
<p>RPI Part #CME083 OEM Part # See Chart on Back Page</p> <p>PARTICLE FILTER ELEMENT</p> <ul style="list-style-type: none"> • 5 micron filter element • Includes bowl O-ring <p>Fits: Norgren brand F73 style Particle Filter Assembly</p>	<p>RPI Part #CME085 OEM Part # See Chart on Back Page</p> <p>PARTICLE FILTER ELEMENT</p> <ul style="list-style-type: none"> • 5 micron filter element • Includes bowl O-ring <p>Fits: Wilkerson brand F18 & M18 Particle Filter Assembly</p>
<p>RPI Part #CMI096 OEM Part # See Chart on Back Page</p> <p>DIFFERENTIAL PRESSURE INDICATOR</p> <p>Fits: Norgren brand F73 style Particle Filter Assembly</p>	<p>RPI Part #CMI095 OEM Part # See Chart on Back Page</p> <p>DIFFERENTIAL PRESSURE INDICATOR</p> <p>Fits: Wilkerson brand B18, F18 & M18 assemblies</p>
<p>RPI Part #CMB099 OEM Part # See Chart on Back Page</p> <p>MOUNTING BRACKET</p> <p>Fits: Norgren brand F73 style Particle Filter Assembly</p>	<p>RPI Part #CMB100 OEM Part # See Chart on Back Page</p> <p>MOUNTING BRACKET</p> <p>Fits: Wilkerson brand F18 & M18 assemblies</p>

Wilkerson Brand 5 oz.	Wilkerson Brand 10 oz.
<p>RPI Part #CMI015 Differential Pressure Indicator</p>	<p>RPI Part #CMI015 Differential Pressure Indicator</p>
<p><i>You choose the Filter Element that best suits your needs:</i></p> <ul style="list-style-type: none"> • CMK024 Type C; 0.01 micron Wilkerson brand • CMK005 Type B; 0.5 micron Wilkerson brand • CMK026 Type C; 0.01 micron Generic brand • CME089 NEW Type D; 0.003 micron Wilkerson brand 	<p><i>You choose the Filter Element that best suits your needs:</i></p> <ul style="list-style-type: none"> • CMK025 Type C; 0.01 micron Wilkerson brand • CMK006 Type B; 0.5 micron Wilkerson brand • CMK027 Type C; 0.01 micron Generic brand • CME090 NEW Type D; 0.003 micron Wilkerson brand
<p>RPI Part #CMF016 Auto Drain Float</p>	<p>RPI Part #CMF016 Auto Drain Float</p>
<p>RPI Part #CMA021 OEM Part # See Chart on Back Page</p> <p>COALESCING FILTER ASSY. (5 oz.)</p> <ul style="list-style-type: none"> • Wilkerson brand M16 <p>Fits: Compressor Output Manifold / Wall Mount</p>	<p>RPI Part #CMA022 OEM Part # See Chart on Back Page</p> <p>COALESCING FILTER ASSY. (10 oz.)</p> <ul style="list-style-type: none"> • Wilkerson brand M26 <p>Fits: Compressor Output Manifold / Wall Mount</p>
<p>RPI Part #CME089 OEM Part # See Chart on Back Page</p> <p>CARBON FILTER ELEMENT</p> <ul style="list-style-type: none"> • Filter type D; .003 micron 5 oz. • Includes bowl O-ring and flat gasket <p>Fits: Wilkerson brand M16 Coalescing Filter Assemblies</p>	<p>RPI Part #CME090 OEM Part # See Chart on Back Page</p> <p>CARBON FILTER ELEMENT</p> <ul style="list-style-type: none"> • Wilkerson brand • Filter type D; .003 micron 10 oz. <p>Fits: Wilkerson brand M26 Filter Assembly</p>
<p>RPI Part #CMB087 OEM Part # See Chart on Back Page</p> <p>MOUNTING BRACKET</p> <p>Fits: Wilkerson brand F16 & M16 Filter Assemblies</p>	<p>RPI Part #CMB088 OEM Part # See Chart on Back Page</p> <p>MOUNTING BRACKET</p> <p>Fits: Wilkerson brand F26 & M26 Coalescing Filter Assemblies</p>
<p>RPI Part #CMC086 OEM Part # See Chart on Back Page</p> <p>BLANK COVER</p> <ul style="list-style-type: none"> • Wilkerson brand <p>Fits: Wilkerson brand M16 & M26 Filter Assys.</p>	

COMPRESSOR PM KIT, FILTERS AND ELEMENTS

NEW




RPI Part #CMK076
OEM Part # See Chart on Back Page

COMPRESSOR PM KIT

- Includes (1) Coalescing Filter Element (RPI Part #CME043), (1) Coalescing Filter Element (RPI Part #CME044) and (2) Air Filter Element (RPI Part #CME067)

NEW




RPI Part #CME043
OEM Part # See Chart on Back Page

COALESCING FILTER ELEMENT

- Wilkerson brand
- Type B; .5 micron
- Includes O-ring

Fits: Coalescing Filer Assembly

NEW




RPI Part #CME044
OEM Part # See Chart on Back Page

COALESCING FILTER ELEMENT

- Wilkerson brand
- Type C; 0.01
- Includes O-ring

Fits: Coalescing Filer Assembly

NEW



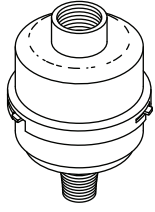
RPI Part #CME067
OEM Part # See Chart on Back Page

AIR FILTER ELEMENT

- 2 micron paper filter

Fits: Air Filter Assembly

NEW




RPI Part #CMA068
OEM Part #
 See Chart on Back Page

AIR FILTER ASSEMBLY

- Includes Air Filter Element (RPI Part #CME067)

Fits: 1 HP Compressor Head

NEW



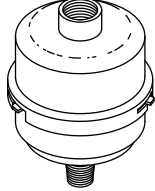
RPI Part #CME067
OEM Part # See Chart on Back Page

AIR FILTER ELEMENT

- 2 micron paper filter

Fits: Air Filter Assembly

NEW




RPI Part #CMA070
OEM Part #
 See Chart on Back Page

AIR FILTER ASSEMBLY

- Includes Air Filter Element (RPI Part #CME069)

Fits: For use on 2 HP Compressor Head

NEW



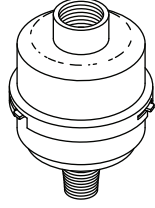
RPI Part #CME069
OEM Part # See Chart on Back Page

AIR FILTER ELEMENT

- 2 micron paper filter

Fits: Air Filter Assembly

NEW




RPI Part #CMA072
OEM Part #
 See Chart on Back Page

AIR FILTER ASSEMBLY

- Includes Air Filter Element (RPI Part #CME080)

Fits: For use on 1 HP Compressor Head

NEW



RPI Part #CME080
OEM Part # See Chart on Back Page

AIR FILTER ELEMENT

- 25 Micron polyester filter

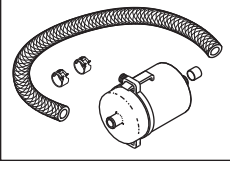
Fits: Air Filter Assembly

RPI Part #CMK003
OEM Part #
 See Chart on Back Page

FRESH AIR INTAKE FILTER KIT

- Includes all parts as shown

Fits: Compressor Head

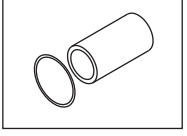


RPI Part #CME004
OEM Part #
 See Chart on Back Page

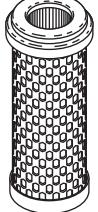
REPLACEMENT FILTER ELEMENT

- Replacement Filter Element for (RPI Part #CMK003) only
- Includes O-ring

Fits: Fresh Air Intake Filter Kit (RPI Part #CMK003)



NEW



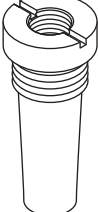
RPI Part #CME071
OEM Part # See Chart on Back Page

AIR FILTER ELEMENT

- Used for Fresh Air intake
- Includes Rubber Air Filter Cap

Fits: Compressor heads

NEW



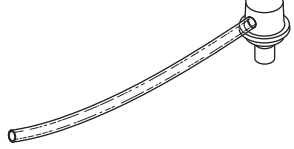
RPI Part #CMF075
OEM Part # See Chart on Back Page

INTAKE FILTER

- 5 micron polyester filter

Fits: Cylinder head

NEW



RPI Part #CMF073
OEM Part # See Chart on Back Page

AIR INTAKE FILTER

- 5 micron polyester filter

Fits: Compressor Head Assembly



Table with 10 columns: RPI PART #, DESCRIPTION, AIR TECHNIQUES, APOLLO/MIDMARK, DCI/MDT McKESSON, DENTAL EZ CUSTOM AIR/RAMVAC, JUN-AIR, MATRX/MIDMARK, MIDMARK, TECH WEST/TURBINE, IND. Rows include various filter assemblies, mounting brackets, desiccants, and moisture indicators.

New Parts are shown in Bold Face type

*OEM # represents the Coalescing Filter Assembly which includes the filter.

See our website www.rpiparts.com for specific models these parts fit.

Don't forget ... RPI has these parts and more to fit Dental Compressors!

- Air Intake Filters and Elements
Coalescing Filter Assemblies
Coalescing Filter Elements
Compressor Oil
Cooling Fans
Fresh Air Intake Filters
Purge Filters and Mufflers
Pressure Switches and Valves
Pressure Gauges
Run Capacitors
Safety Valves
Start Boxes
Start Capacitors
Thermal Protector Assemblies