

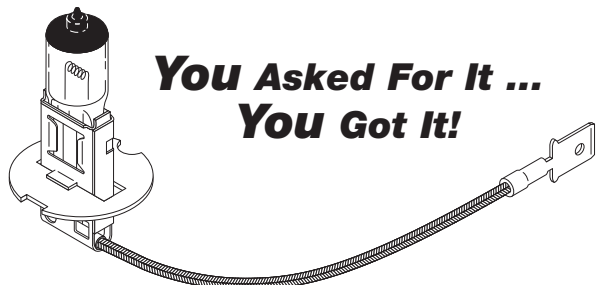
Belmont Clesta

New Black Tip Lamp to fit Belmont Clesta Models 501, 502 & 505 Dental Lights!



RPI Part #LMP026
OEM Part #501-074

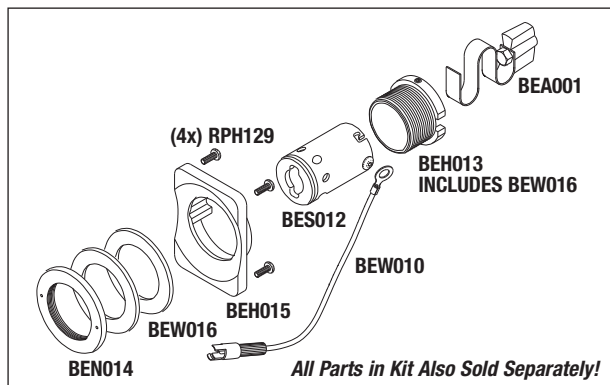
LAMP (BLACK TIP; HALOGEN BULB)
• 24 VDC; 60W; With 1/4" Quick Connect Tab
Models: Clesta models 501, 502 & 505



**You Asked For It ...
You Got It!**

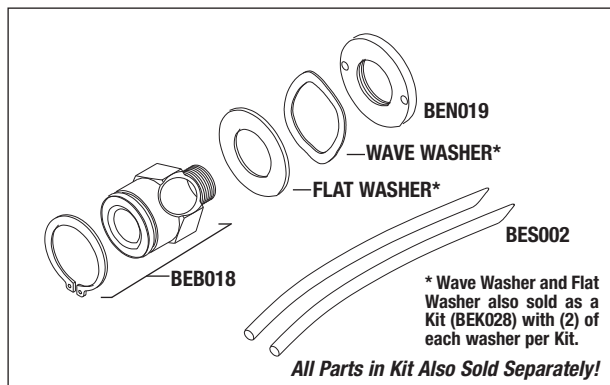
Belmont X-Calibur & Healthco X-Calibur

Don't Forget! RPI has Parts to fit Belmont and Healthco X-Calibur Dental Lights too!



RPI Part #BEK027
OEM Part # (No OEM Part # Available)

LIGHT SOCKET KIT
• Includes all parts as shown
Fits: Light head assembly
Models: All Belmont X-Calibur models;
All Healthco X-Calibur models

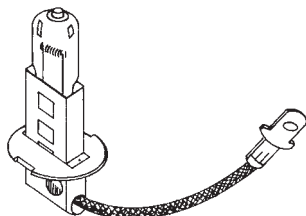


RPI Part #BEK020
OEM Part # (No OEM Part # Available)

JOINT BOLT KIT
• Includes all parts as shown
Fits: Yoke assembly
Models: All Belmont X-Calibur models;
All Healthco X-Calibur models

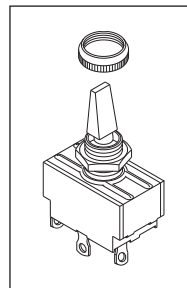
RPI Part #LMP601
Industry Part #H-3

LAMP
• 12 VDC; 55W
Fits: Light socket
Models: All Belmont X-Calibur models;
All Healthco X-Calibur models



RPI Part #BES023
OEM Part #8000-1001

POWER SWITCH
• Includes all parts as shown
Fits: Head assembly
Models: All Belmont X-Calibur models;
All Healthco X-Calibur models



replacement parts industries, inc.

CALL (800) 221-9723 • FAX (818) 882-7028 • EMAIL order@rpiparts.com • WEBSITE www.rpiparts.com

The above parts are manufactured by Replacement Parts Industries, Inc. to fit Belmont and Healthco equipment. All product names used in this document are trademarks or registered trademarks of their respective holders. WEB 08/09