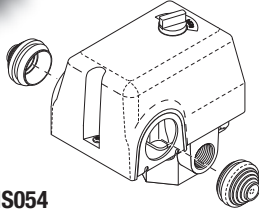


More New RPI Parts & Recap of Existing Parts for Dental Compressors

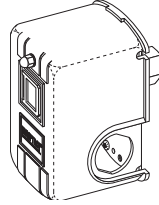
FOR MORE INFORMATION ABOUT THE PARTS LISTED IN THIS FLYER, SEE RPI's WEBSITE: www.rpiparts.com



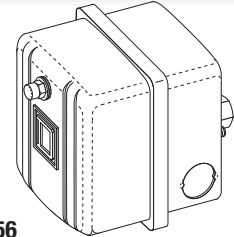
PRESSURE SWITCHES & VALVES



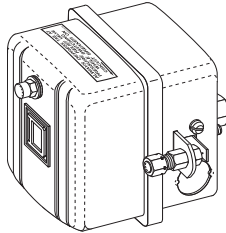
RPI Part #CMS054
OEM Part # See Chart on Back Page
PRESSURE SWITCH
 • Factory set to: Off @ 100 PSI



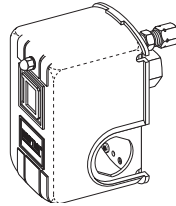
RPI Part #CMS053
OEM Part # See Chart on Back Page
PRESSURE SWITCH
 • Factory set to: On @ 80 PSI; Off @ 100 PSI



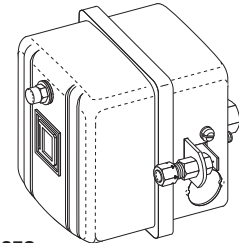
RPI Part #CMS056
OEM Part # See Chart on Back Page
PRESSURE SWITCH
 • Factory set to: On @ 80 PSI; Off @ 100 PSI



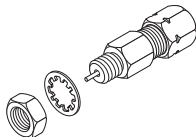
RPI Part #CMS057
OEM Part # See Chart on Back Page
PRESSURE SWITCH
 • Factory set to: On @ 80 PSI; Off @ 100 PSI
 Includes Pressure Relief Valve CMV059



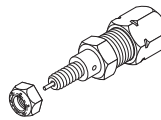
RPI Part #CMS051
OEM Part # See Chart on Back Page
PRESSURE SWITCH
 • Factory set to: Off @ 100 PSI
 Includes Pressure Relief Valve CMV060



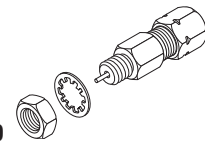
RPI Part #CMS052
OEM Part # See Chart on Back Page
PRESSURE SWITCH
 • Factory set to: On @ 75 PSI; Off @ 100 PSI
 Includes Pressure Relief Valve CMV059



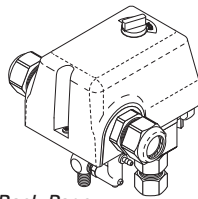
RPI Part #CMV059
OEM Part # See Chart on Back Page
PRESSURE RELIEF VALVE



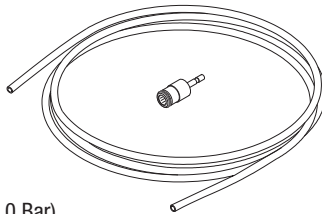
RPI Part #CMV060
OEM Part # See Chart on Back Page
PRESSURE RELIEF VALVE



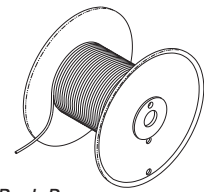
RPI Part #CMV059
OEM Part # See Chart on Back Page
PRESSURE RELIEF VALVE



RPI Part #CMS055
OEM Part # See Chart on Back Page
PRESSURE SWITCH
 • Factory set to: On @ 90 PSI (6.2 Bar); Off @ 116 PSI (8.0 Bar)
 Includes Unloader Valve CMV058, 3.3' Tubing RPT670, Tube Adapter Fitting, Elbow Fitting, Quick Connect Fitting with O-Ring RPO303 & Conduit Connectors



RPI Part #RPT670
OEM Part # See Chart on Back Page
TUBING
 Sold by the foot; Reel not included



RPI Part #RPO303
OEM Part # See Chart on Back Page
O-RING (12 per package)
 Size: .364" ID x .504" OD x .070 C/S
 Material: Nitrile (Buna N); Duro: 70

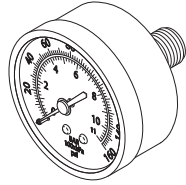


RPI Part #CMV058
OEM Part # See Chart on Back Page
UNLOADER VALVE

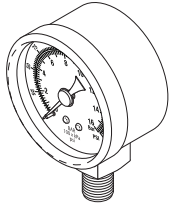


PRESSURE GAUGES

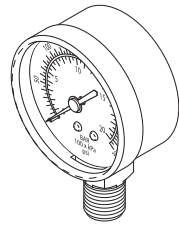
RPI Part #CMG048
 OEM Part # See Chart on Back Page
PRESSURE GAUGE (160 PSI)
 • 2" dial; 1/4 MPT center back mount



RPI Part #CMG050
 OEM Part # See Chart on Back Page
PRESSURE GAUGE (230 PSI)
 • 1.5" dial; 1/8-28 BSPP bottom mount

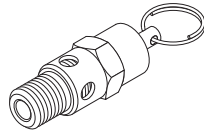


RPI Part #CMG049
 OEM Part # See Chart on Back Page
PRESSURE GAUGE (300 PSI)
 • 2" dial; 1/4 MPT bottom mount

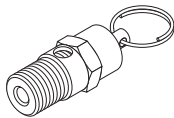


SAFETY VALVES

RPI Part #CMV046
 OEM Part # See Chart on Back Page
SAFETY VALVE (125 PSI)
 • Brass; 1/4 MPT



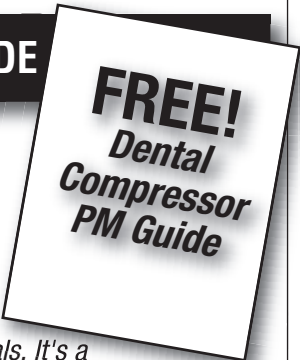
RPI Part #CMV047
 OEM Part # See Chart on Back Page
SAFETY VALVE (135 PSI)
 • Brass; 1/4 BSP



PM GUIDE

This easy-to-use Planned Maintenance Guide for dental compressors walks you through the steps of what to look for and what to replace at monthly and annual intervals. It's a great "leave-behind" for your customers because you can personalize it with your company name.

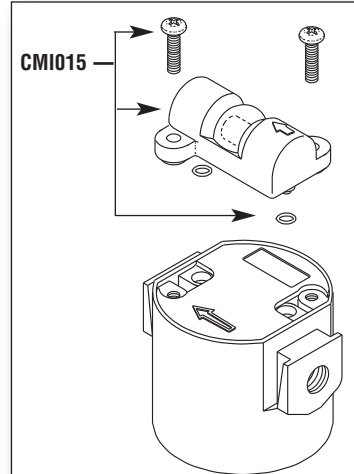
**Now available on the RPI website: www.rpiparts.com
 Click RPI Tech Help. Select PM Guides.**



COALESCING FILTER ASSEMBLIES

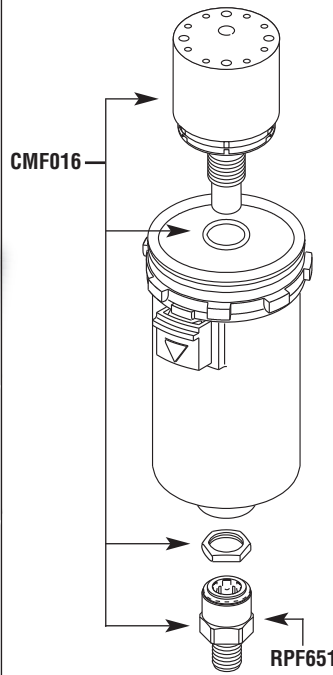
5 oz.

RPI Part #CMA021
 OEM Part # See Chart on Back Page
COALESCING FILTER ASSEMBLY (5 oz.)
 • Wilkerson brand



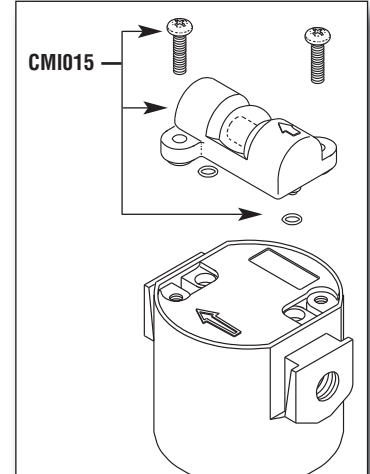
You choose the Filter Element that best suits your needs:

- **CMK024**
Type C; 0.01 micron
Wilkerson brand
- **CMK005**
Type B; 0.5 micron
Wilkerson brand
- **CMK026**
Type C; 0.01 micron
Generic brand



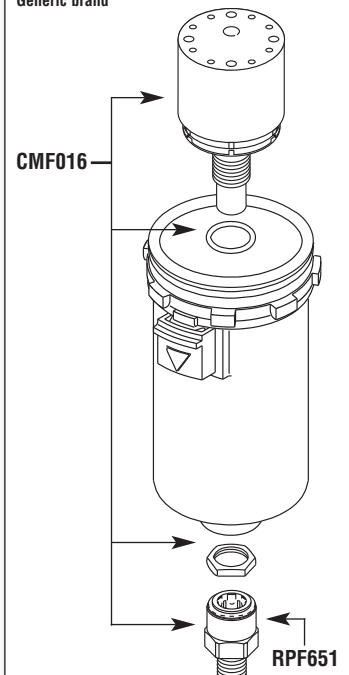
10 oz.

RPI Part #CMA022
 OEM Part # See Chart on Back Page
COALESCING FILTER ASSEMBLY (10 oz.)
 • Wilkerson brand



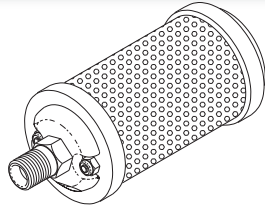
You choose the Filter Element that best suits your needs:

- **CMK025**
Type C; 0.01 micron
Wilkerson brand
- **CMK006**
Type B; 0.5 micron
Wilkerson brand
- **CMK027**
Type C; 0.01 micron
Generic brand

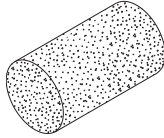


INTAKE FILTERS (AIR)

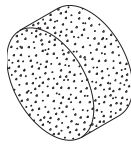
RPI Part #CMF002
OEM Part # See Chart on Back Page
AIR INTAKE FILTER (METAL STYLE)



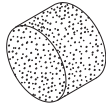
RPI Part #CMF014
OEM Part # See Chart on Back Page
FOAM ELEMENT



RPI Part #CMF011
OEM Part # See Chart on Back Page
FOAM ELEMENT

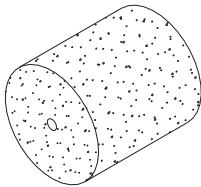


RPI Part #CMF013
OEM Part # See Chart on Back Page
FOAM ELEMENT

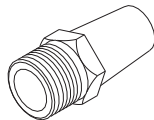


FOAM INSERT/PURGE FILTERS

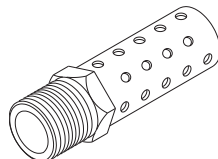
RPI Part #CMF012
OEM Part # See Chart on Back Page
FOAM INSERT/PURGE FILTER



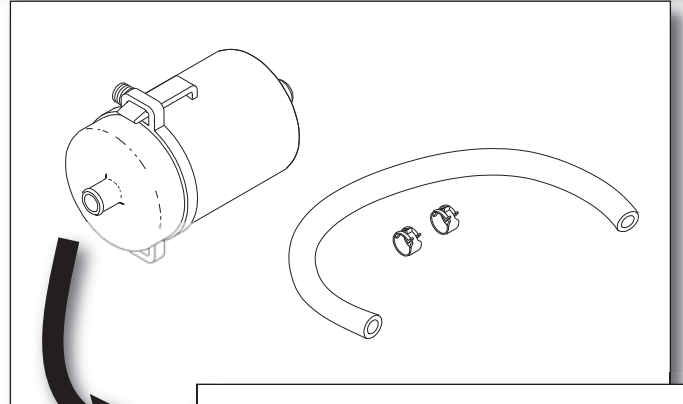
RPI Part #CMM017
OEM Part # See Chart on Back Page
PURGE MUFFLER



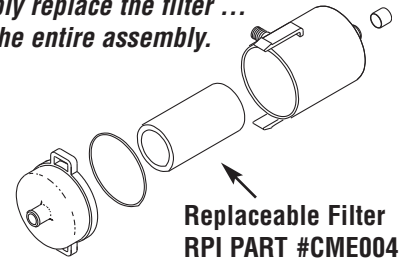
RPI Part #CMM023
OEM Part # See Chart on Back Page
PURGE MUFFLER



INTAKE FILTER (FRESH AIR)



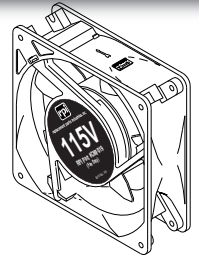
*The RPI Advantage!
Simply replace the filter ...
not the entire assembly.*



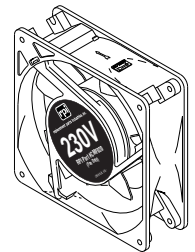
RPI Part #CMK003
OEM Part # See Chart on Back Page
FRESH AIR INTAKE FILTER KIT

COOLING FANS

RPI Part #CMF019
OEM Part # See Chart on Back Page
COOLING FAN (115V)



RPI Part #CMF020
OEM Part # See Chart on Back Page
COOLING FAN (230V)



COMPRESSOR OIL

COMPRESSOR OIL
Includes Dispensing Tubes and Yorker Caps

RPI Part #CML001 - (1) 16 oz. Bottle
OEM Part # See Chart on Back Page

RPI Part #CML045 - (12) 16 oz. Bottles
OEM Part # See Chart on Back Page



*Available by
the bottle or
by the case!*



RPI PART #	DESCRIPTION	AIR TECHNIQUES	APOLLO/ MIDMARK	DCI/MDT McKESSON	DENTALEZ®	JUN-AIR	MATRX/ MIDMARK	TECH WEST/ TURBINE, IND.
AIR INTAKE FILTERS								
CMF002	AIR INTAKE FILTER (METAL STYLE)	80050	PFM50955					
CMF011	FOAM ELEMENT	60043-1						
CMF013	FOAM ELEMENT						77007079	AAF-100
CMF014	FOAM ELEMENT			3-08-0632-10				
CMK003	FRESH AIR INTAKE FILTER KIT Includes Replaceable Filter Element (RPI Part #CME004)		PFM50955					
COALESCING FILTER ASSEMBLIES & COMPONENTS								
CMA021	COALESCING FILTER ASSY Wilkerson brand		ACA70305				77005010	
CMA022	COALESCING FILTER ASSY Wilkerson brand		ACA85215		645-45010	JA40815000		CFA-375
CMF016	AUTO FLOAT DRAIN Wilkerson brand		ACA85210		645-45010			
CMi015	DIFFERENTIAL PRESSURE INDICATOR Wilkerson brand		AAP85210					CI-100
CMK005	COALESCING FILTER ELEMENT Wilkerson brand (Type B)		ACA86050		648-00209	648-00209	77005010	
CMK006	COALESCING FILTER ELEMENT Wilkerson brand (Type B)		ACA86055		645-45010	JA40815000		CFE-375
CMK024	COALESCING FILTER ELEMENT Wilkerson brand (Type C)		ACA86050		648-00209	648-00209	77005005	
CMK025	COALESCING FILTER ELEMENT Wilkerson brand (Type C)		ACA86055		645-45010	JA40815000		CFE-375
CMK026	COALESCING FILTER ELEMENT Generic brand (Type C)		ACA86050		645-00209	648-00209	77005005	
CMK027	COALESCING FILTER ELEMENT Generic brand (Type C)		ACA86055		645-45010	JA40815000		CFE-375
RPF651	ADAPTER FITTING Fits Auto Float Drain		ACA85210		645-45010			
COOLING FANS								
CMF019	COOLING FAN (115VAC)	41060	SEA95535	3-08-0578-10	5451400	JA5445400		CF-115
CMF020	COOLING FAN (230VAC)	80516	SEA95540	3-08-0563-10	5451500	JA5445000		CF-230
COMPRESSOR OIL								
CML001	COMPRESSOR OIL (1) 10 oz. Bottle	60051	ACA85921	3-08-0084-30	64651001		77000220	CO-100
CML045	COMPRESSOR OIL (12) 16 oz. Bottles	60051	ACA85922	3-08-0084-30	64651001		77000220	CO-100
PRESSURE GAUGES								
CMG048	PRESSURE GAUGE (160 PSI)	60011	PCA70400				77005012	CPG-250
CMG049	PRESSURE GAUGE (300 PSI) 1/4 MPT bottom mount	No OEM Part # Available	No OEM Part # Available	No OEM Part # Available	No OEM Part # Available	No OEM Part # Available	No OEM Part # Available	No OEM Part # Available
CMG050	PRESSURE GAUGE (230 PSI)					JA5130000		
PRESSURE SWITCHES								
CMS051	PRESSURE SWITCH		ECS10445					
CMS052	PRESSURE SWITCH		ECS10455					
CMS053	PRESSURE SWITCH							PCS-3
CMS054	PRESSURE SWITCH					JA5074800		
CMS055	PRESSURE SWITCH					JA5075200		
CMS056	PRESSURE SWITCH	85465						
CMS057	PRESSURE SWITCH	60016						
RPO303	O-RING (12/pkg)					No OEM Part # Available		
RPT670	TUBING (6mm OD Black Poly.) (Sold by the foot)					No OEM Part # Available		
PURGE FILTERS & MUFFLERS								
CMF012	FOAM INSERT/PURGE FILTER							FA-100
CMM017	PURGE MUFFLER	80330						AS-250
CMM023	PURGE MUFFLER							PM-500
PRESSURE RELIEF VALVES, SAFETY VALVES & UNLOADER VALVE								
CMV059	PRESSURE RELIEF VALVE	No OEM Part # Available	PVV05526	No OEM Part # Available				
CMV060	PRESSURE RELIEF VALVE		No OEM Part # Available	No OEM Part # Available				No OEM Part # Available
CMV046	SAFETY VALVE (125 PSI)	60017	PW50560	3-08-0813-00			77005020	POVA-100
CMV047	SAFETY VALVE (135 PSI)					JA5417000		
CMV058	UNLOADER VALVE					JA6973300		

