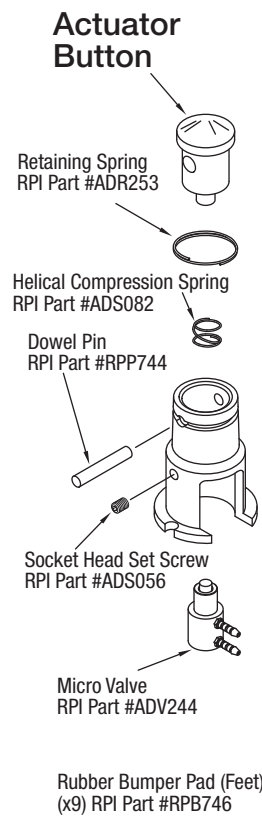
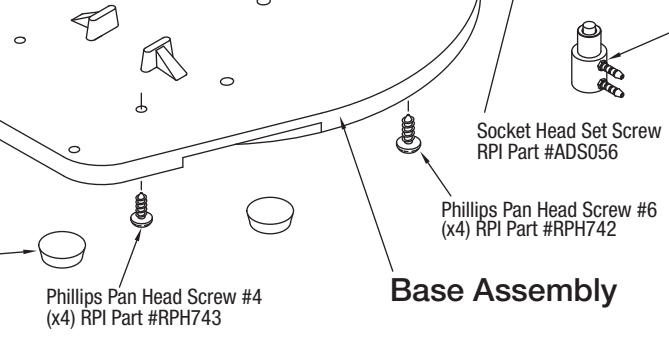
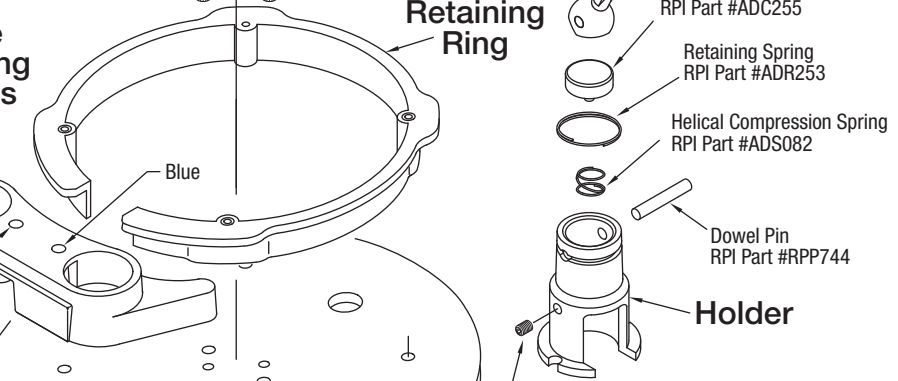
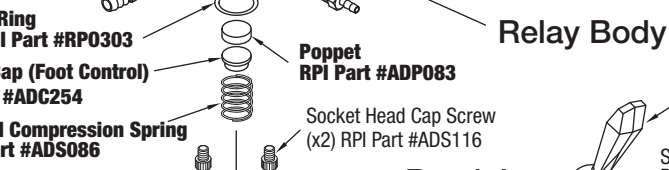
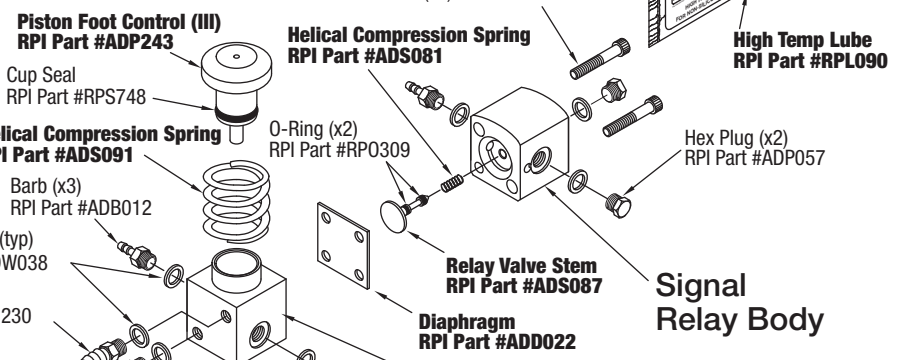
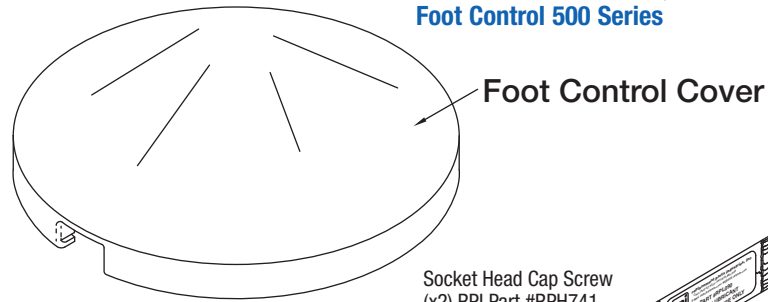
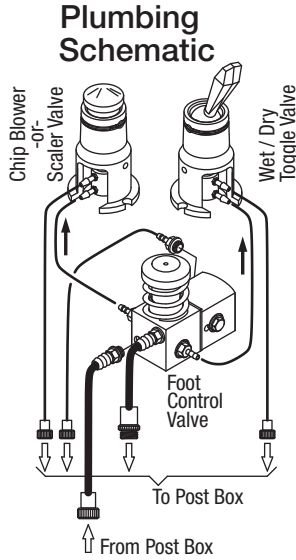




## Parts to Fit A-dec Foot Control Assembly

Models: Foot Control III (OEM Part #'s 38.1601.00, 38.1603.00 & 38.1700.00),  
Foot Control Lever Action (OEM Part # 38-0200-00),  
Foot Control 300 Series, &  
Foot Control 500 Series



**FOOT CONTROL III SVC KIT**  
**RPI Part #ADK245**  
*(Kit parts identified in bold text - All parts also sold separately)*