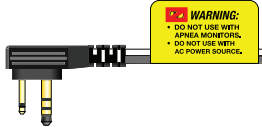
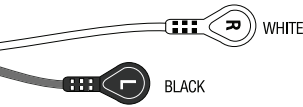

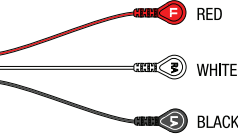
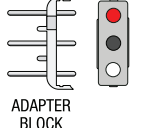
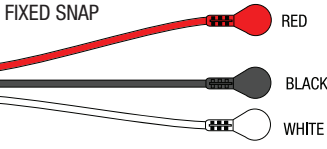





## TELEMETRY CABLES

RPI PART #	DESCRIPTION	# OF LEADS	LENGTH	EQUIPMENT END	PATIENT END	NOTES
<b>KBB001</b>	TELEMETRY CABLE - 2 LEAD	2	32"	DUAL PHONO PLUG 90-DEG 	FIXED SNAP 	
<b>KCB028</b>	TELEMETRY CABLE - 3 LEAD	3	27"	7 SOCKET JUMPER 1 TO 5 	FIXED SNAP 	
<b>KCB029</b>	TELEMETRY CABLE - 3 LEAD	3	30"	3-LEAD SAFETY BLOCK  ADAPTER BLOCK	FIXED SNAP 	<ul style="list-style-type: none"> <li>• This cable replaces RPI Part #HPC008</li> <li>• Includes Adapter Block</li> </ul>
<b>KDB002</b>	TELEMETRY CABLE - 4 LEAD	4	27"	7 PIN SOCKET 	FIXED SNAP 	
<b>KEB015</b>	TELEMETRY CABLE - 5 LEAD	5	24"	7 PIN SOCKET 	FIXED SNAP 